

<b>Subject:</b> <b>POPPING NOISE FROM RADIO WHEN PASSING OVER BUMPS</b>	<b>Bulletin No:</b> 09-011/07
	<b>Last Issued:</b> 3/28/2007

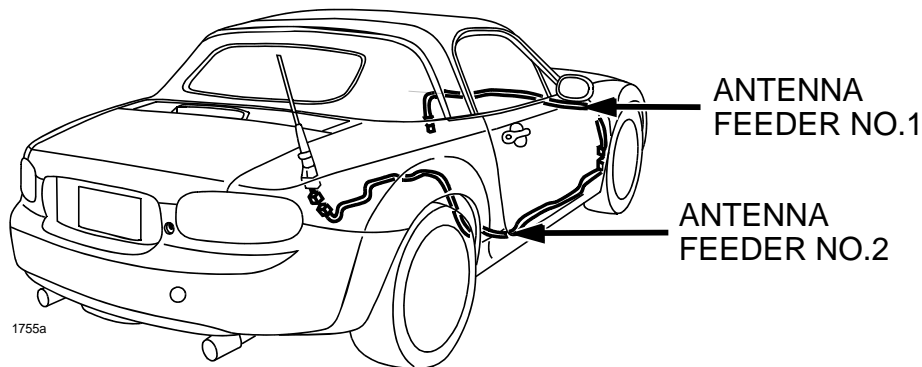
## APPLICABLE MODEL(S)/VINS

2006-2007 MX-5 vehicles with VIN from JM1 NC\*\*\*\* \*\* 100288 to 116742 (produced June 20, 2005 to April 8, 2006)

## DESCRIPTION

Some vehicles may experience a popping noise from AM radio stations when passing over bumps. This symptom will be present only when AM band is selected.

Due to insufficient crimping, poor contact occurs at antenna feeder connectors 1 and/or 2. As a mass production change, the crimping of the antenna feeder connectors has been revised. Customers having this concern should have their vehicle repaired using the following repair procedure.



## REPAIR PROCEDURE

1. Verify customer concern.
2. Replace antenna feeders No. 1 and No. 2 with modified ones.
  - For antenna feeder No. 1, refer to ANTENNA FEEDER NO. 1 REPLACEMENT procedure.
  - For antenna feeder No. 2, refer to the appropriate procedure.
    - For soft top equipped models, refer to ANTENNA FEEDER NO. 2 REPLACEMENT - SOFT TOP procedure.
    - For retractable hard top equipped models, refer to ANTENNA FEEDER NO. 2 REPLACEMENT - POWER RETRACTABLE HARD TOP procedure.

### NOTE:

- If vehicle is equipped with detachable hardtop (not retractable), detachable hardtop must be removed before performing this procedure.

3. Verify repair.

### ANTENNA FEEDER NO. 1 REPLACEMENT

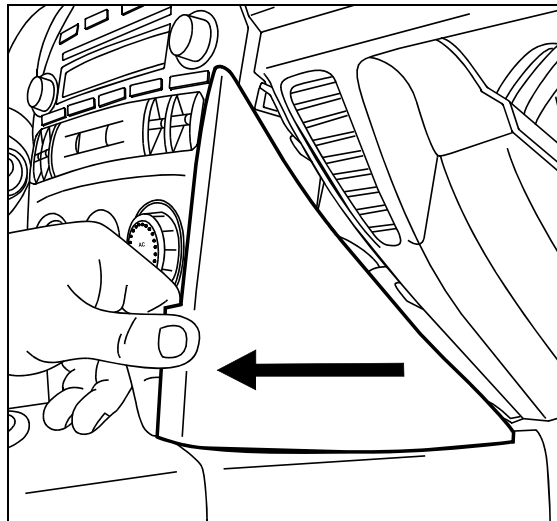
**NOTE:**

- It is easier to remove the dashboard with top in the down position.
- Antenna feeders can be identified by the Orange tape used to attach the feeders to the clips that retain the feeder to the rear of the dashboard and the vehicles body.
- After removing dashboard, place a fender cover under dashboard to prevent damage.

1. Remove dashboard assembly to access antenna feeder No. 1. Refer to Workshop Manual section 09-17 - DASHBOARD REMOVAL / INSTALLATION. Antenna feeder No. 1 is attached to the rear of the dashboard.

**NOTE:**

- When removing driver and passenger side walls trim, pull toward rear of vehicle when removing to prevent damage to retaining clips. Refer to service bulletin 09-007/07 for additional information.

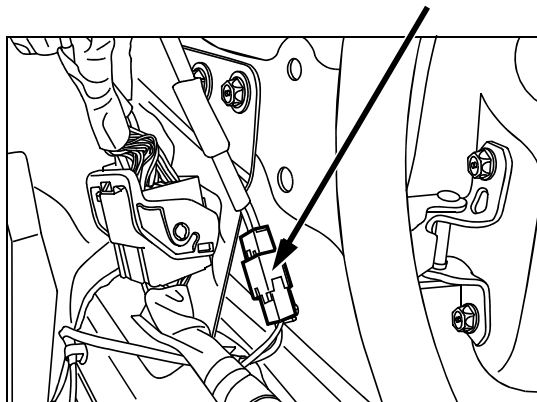


1755b

**PULL SIDE WALL REARWARD  
TO REMOVE**

- Disconnect antenna feeder No. 1 connector located behind passenger front side trim (kick panel) before removing dashboard.

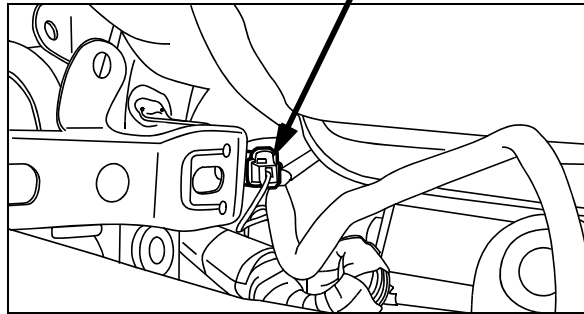
**DISCONNECT ANTENNA  
FEEDER NO. 1 CONNECTOR  
LOCATED BEHIND PASSENGER  
FRONT SIDE TRIM**



1755c

2. Disconnect antenna feeder No. 1 connector through center panel opening.

DISCONNECT ANTENNA  
FEEDER NO. 1 CONNECTOR  
LOCATED THROUGH CENTER  
PANEL OPENING



3. Place dashboard face down on a fender cover to prevent damage.
4. Remove harness clips to remove antenna feeder No. 1 from rear of dashboard.
5. Install new antenna feeder No. 1 to dashboard. Ensure all clips are in the correct location and harness is routed the same as original feeder.
6. Install new antenna feeder No. 2 before installing dashboard.
  - For soft top equipped models, refer to ANTENNA FEEDER NO. 2 REPLACEMENT - SOFT TOP procedure.
  - For retractable hard top equipped models, refer to ANTENNA FEEDER NO. 2 REPLACEMENT - POWER RETRACTABLE HARD TOP procedure.
7. After antenna feeder No. 2 is installed, install dashboard assembly. Refer to Workshop Manual section 09-17 - DASHBOARD REMOVAL / INSTALLATION.

#### **ANTENNA FEEDER NO. 2 REPLACEMENT - SOFT TOP**

**NOTE:**

- On soft top vehicles, if vehicle is also equipped with detachable hardtop (not retractable), detachable hardtop must be removed before performing this procedure.

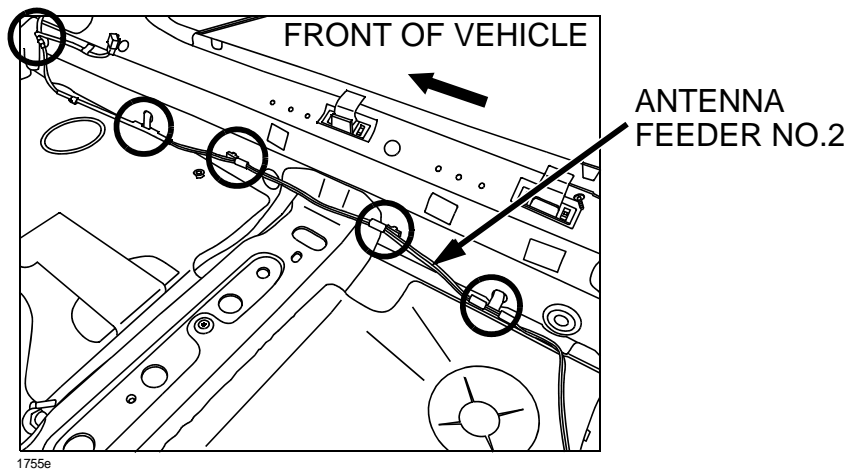
1. Remove passenger seat. Refer to Workshop manual section 09-13 SEAT REMOVAL / INSTALLATION.
2. Close (raise) soft top.

**NOTE:**

- The next step will remove multiple components to allow removal of antenna feeder No. 2 from the vehicle.

3. Remove the side shelf located in the soft top storage area. Refer to Workshop Manual section 09-17 SIDE SHELF REMOVAL/INSTALLATION.

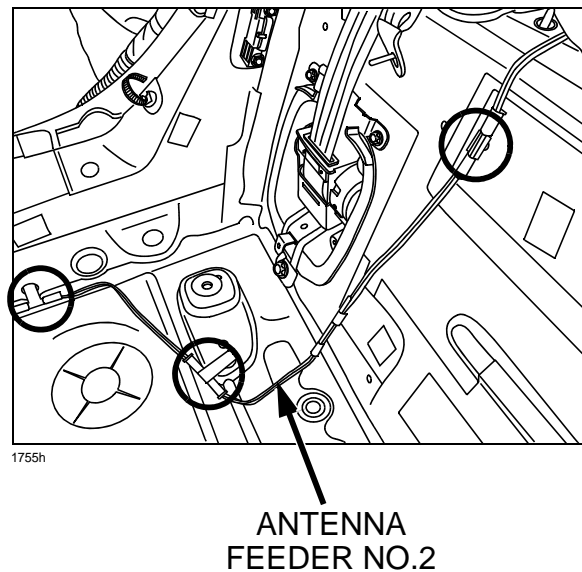
4. Remove 3 carpet retaining clips along the passenger sill. Fold back carpet to expose antenna feeder No. 2 attachment points along side of vehicle.



ANTENNA FEEDER NO. 2 ROUTING ALONG PASSENGER SILL - SHOWN CARPET REMOVED.

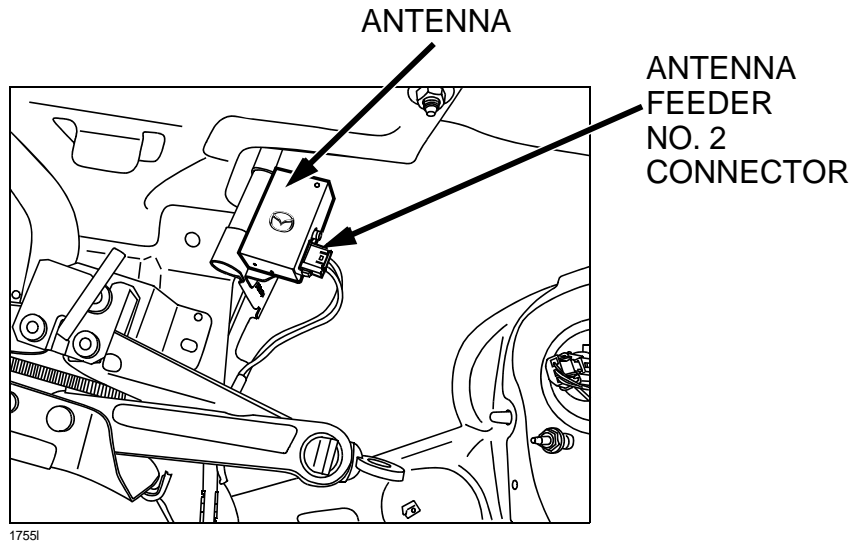
5. Disconnect antenna feeder No. 2 attachment points going through rear of vehicle.

ANTENNA FEEDER NO. 2 ROUTING AT REAR OF PASSENGER COMPARTMENT - SHOWN WITH CARPET AND BACK TRIM REMOVED.

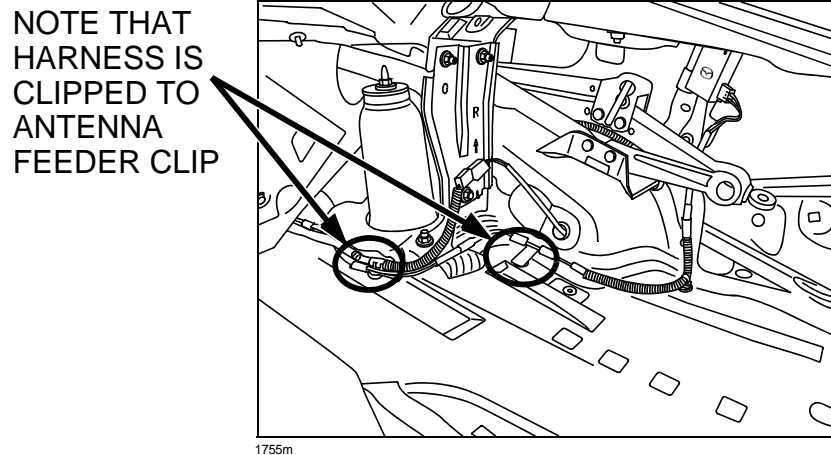


6. Open trunk and remove passenger side trunk side trim. Refer to Workshop manual section 09-17 TRUNK SIDE TRIM REMOVAL / INSTALLATION. Fold back carpet enough to expose antenna feeder No. 2 attachment points.

7. Disconnect antenna feeder No. 2 from antenna.



8. Remove old antenna feeder No. 2 from vehicle.
9. Route new antenna feeder No. 2 through vehicle same as existing antenna feeder. Install new antenna feeder clips to vehicle as old antenna feeder and clips are removed.



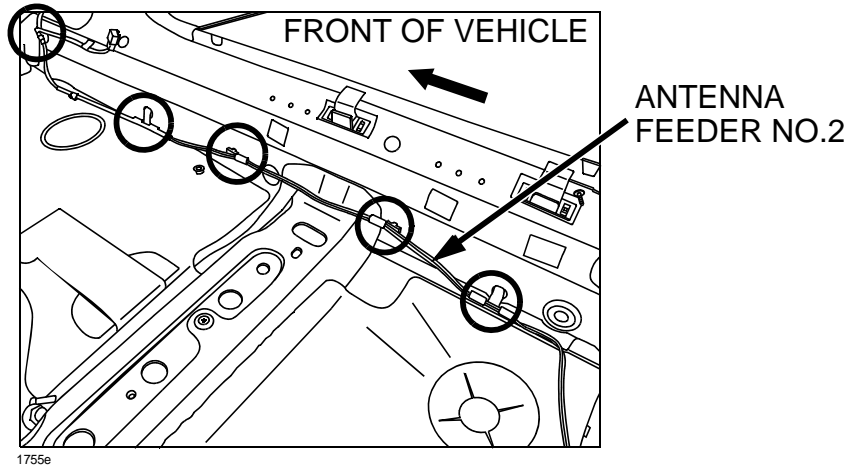
ANTENNA FEEDER NO. 2 TRUNK ROUTING SHOWN WITH SIDE TRIM REMOVED AND CARPET PULLED BACK

10. To install remaining items, reverse removal procedure.

#### ANTENNA FEEDER NO. 2 REPLACEMENT - POWER RETRACTABLE HARDTOP

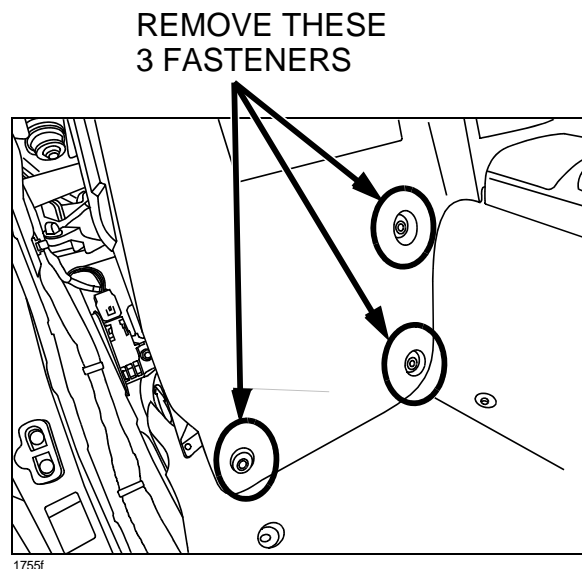
1. Remove passenger seat. Refer to Workshop manual section 09-13 SEAT REMOVAL / INSTALLATION.
2. Remove the passenger side tire house trim. Refer to Workshop Manual section 09-17 TIRE HOUSE TRIM REMOVAL / INSTALLATION.

3. Remove 3 carpet retaining clips along the passenger sill. Fold back carpet to expose antenna feeder No. 2 attachment points.



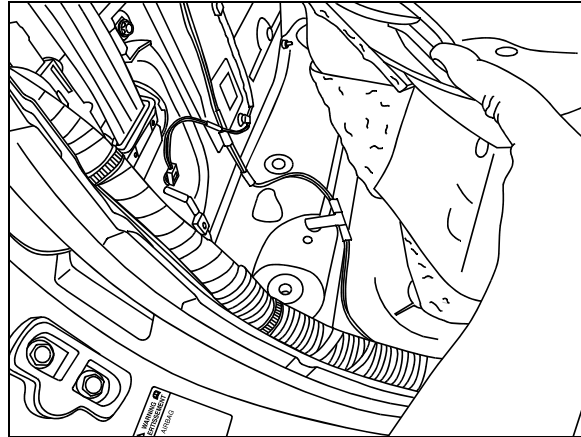
ANTENNA FEEDER NO. 2 ROUTING ALONG PASSENGER SILL - SHOWN CARPET REMOVED.

4. Remove 3 fasteners located on back trim as indicated.



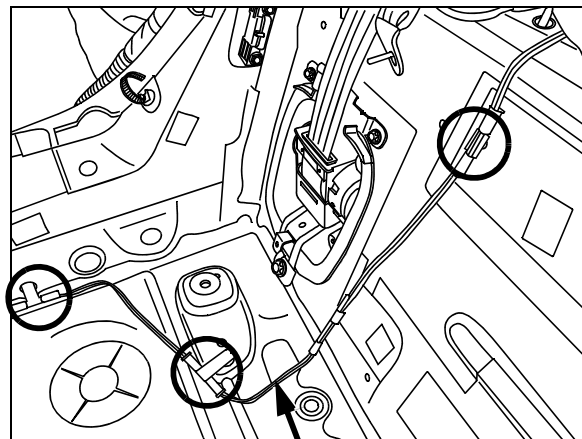
- Carefully pull back trim out and fold back carpet enough to expose antenna feeder No. 2 attachment points.

**CAREFULLY PULL OUT BACK TRIM  
AND FOLD BACK CARPET TO ACCESS  
ANTENNA FEEDER NO. 2**



1755g

**ANTENNA FEEDER NO. 2 ROUTING AT REAR  
OF PASSENGER COMPARTMENT - SHOWN  
WITH CARPET AND BACK TRIM REMOVED.**



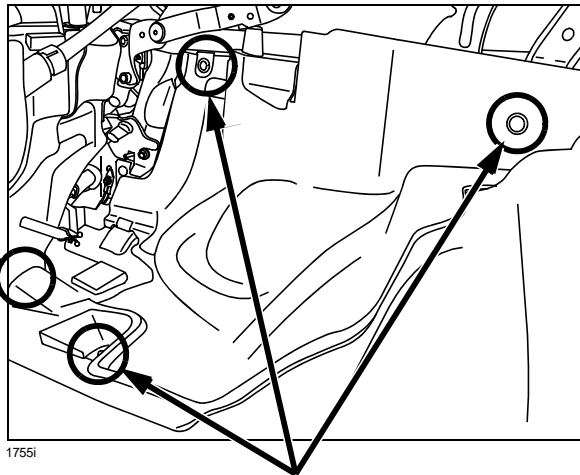
1755h

**ANTENNA  
FEEDER NO.2**

- Close (raise) retractable hardtop but leave deck panel in open position.

7. Remove 4 retaining fasteners and passenger side rear side shelf. Fold back carpet enough to expose antenna feeder No. 2 attachment points.

THIS FASTENER  
WILL NEED TO BE  
REMOVED FROM  
THE FRONT, BEHIND  
THE BACK TRIM

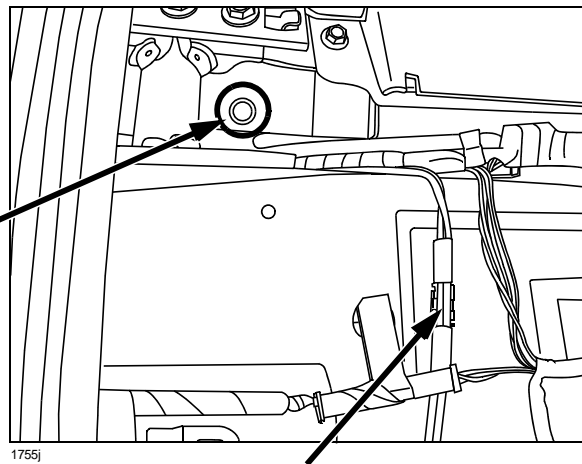


REMOVE THESE 3 FASTENERS  
FROM THE TOP

**NOTE:**

- 1 fastener is hidden and located behind the back trim, near the antenna feeder.

HIDDEN FASTENER  
FOR REAR SIDE TRIM

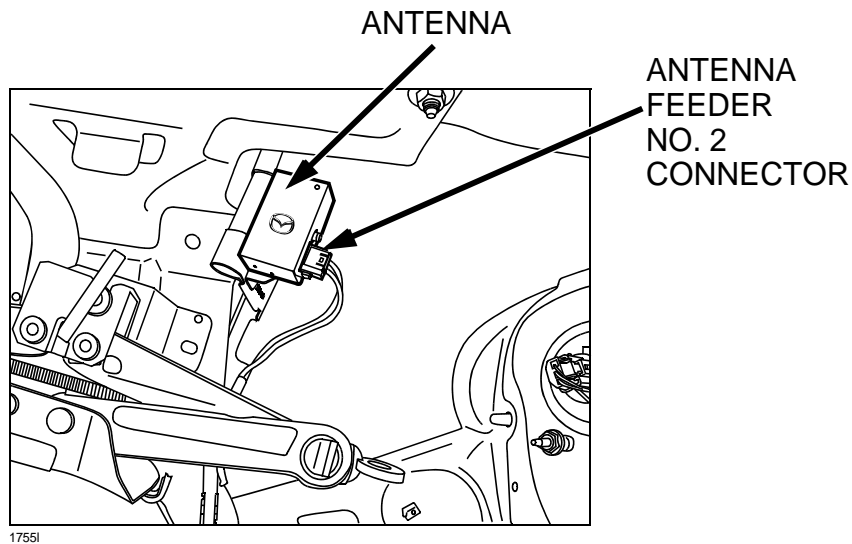


ANTENNA FEEDER NO. 2  
LOCATED BEHIND BACK TRIM

8. Close deck panel to allow opening of trunk.
9. Open trunk and remove passenger side trunk side trim. Refer to Workshop manual section 09-17 TRUNK SIDE TRIM REMOVAL / INSTALLATION. Fold back carpet enough to expose antenna feeder No. 2 attachment points.

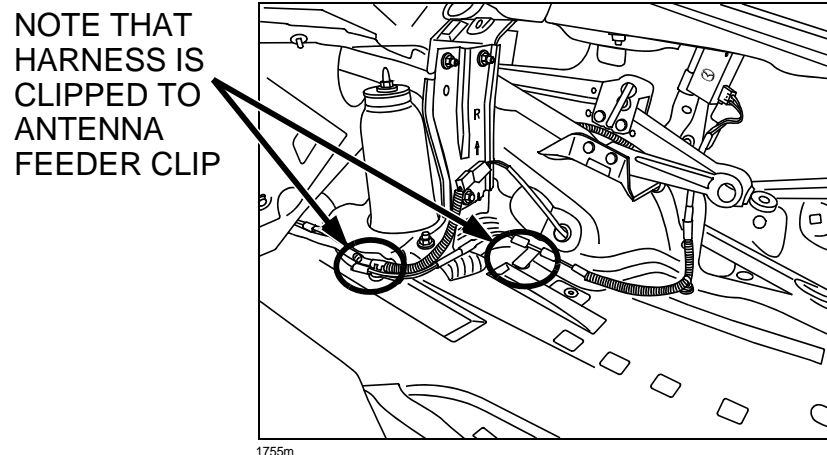


10. Disconnect antenna feeder No. 2 from antenna.



11. Remove old antenna feeder No. 2 from vehicle.

12. Route new antenna feeder No. 2 through vehicle same as existing antenna feeder. Install new antenna feeder clips to vehicle as old antenna feeder and clips are removed.



ANTENNA FEEDER NO. 2 TRUNK ROUTING  
SHOWN WITH SIDE TRIM REMOVED AND  
CARPET PULLED BACK

13. To install remaining items, reverse removal procedure.

## PART(S) INFORMATION

**NOTE:**

- Part Numbers have not been changed. The modification has been carried out at the parts supplier's production line since February 3, 2006. (MC's inventory has been replaced with new ones since May 1, 2006.)
- To identify your inventory whether new or old, please see the lot number on the part's label as per the following. Lot Number for the production date "February 3, 2006" (6B03) or higher is a modified one.

Part Number	Description	Qty.	Notes
NE51-66-940C	Antenna Feeder No. 1	1	---
NE52-66-940C	Antenna Feeder No. 2	1	---

## WARRANTY INFORMATION

**NOTE:**

- This warranty information applies only to verified customer complaints on vehicles eligible for warranty repair. Refer to the Warranty Wizard for warranty term information.
- Additional diagnostic time cannot be claimed for this repair.

Warranty Type	A
Symptom Code	56
Damage Code	9G
Part Number Main Cause	NE52-66-940C (Antenna Feeder No. 2)
Quantity	1
Operation Number / Labor Hours:	XXB509RX / 3.6 Hrs

**NOTE:**

- For Antenna Feeder No. 1 please claim as related part.