

© 2006 Mazda Motor of America, Inc.

Subject: INTERFERENCE BETWEEN SOFT TOP AND BELTLINE MOLDING	Bulletin No: 09-018/06
	Last Issued: 5/4/2006

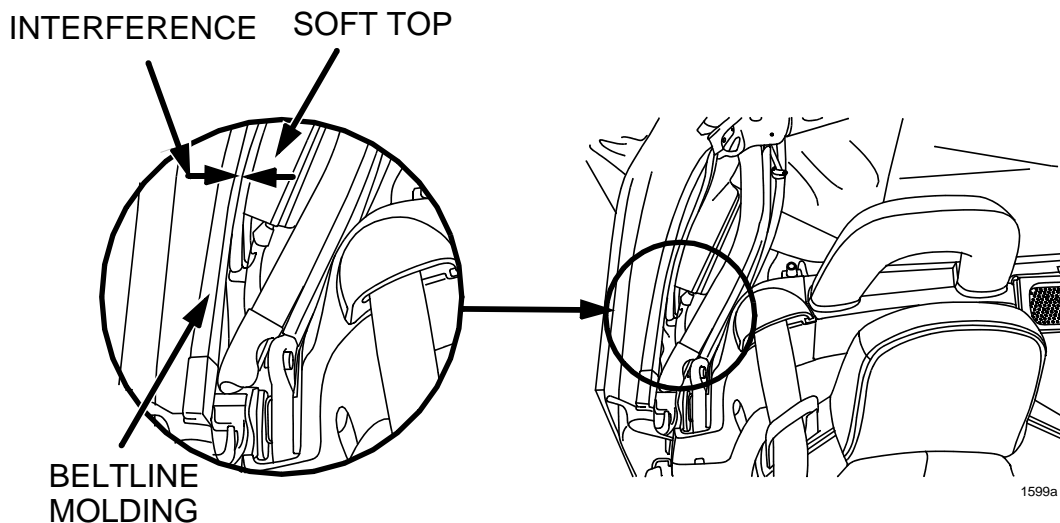
APPLICABLE MODEL(S)/VINS

2006 MX-5 vehicles with VINs lower than JM1 NC**** ** 110950 (produced before December 19, 2005)

DESCRIPTION

Some vehicles may experience the convertible soft top makes contact with the beltline molding near the door. In some cases, this may cause difficulty in opening and closing of the convertible soft top and may cause damage to the cable end bracket.

As a mass production change, the shape of the cable end bracket has been changed to increase the clearance. Customers having this concern should have their vehicle repaired using the following repair procedure.

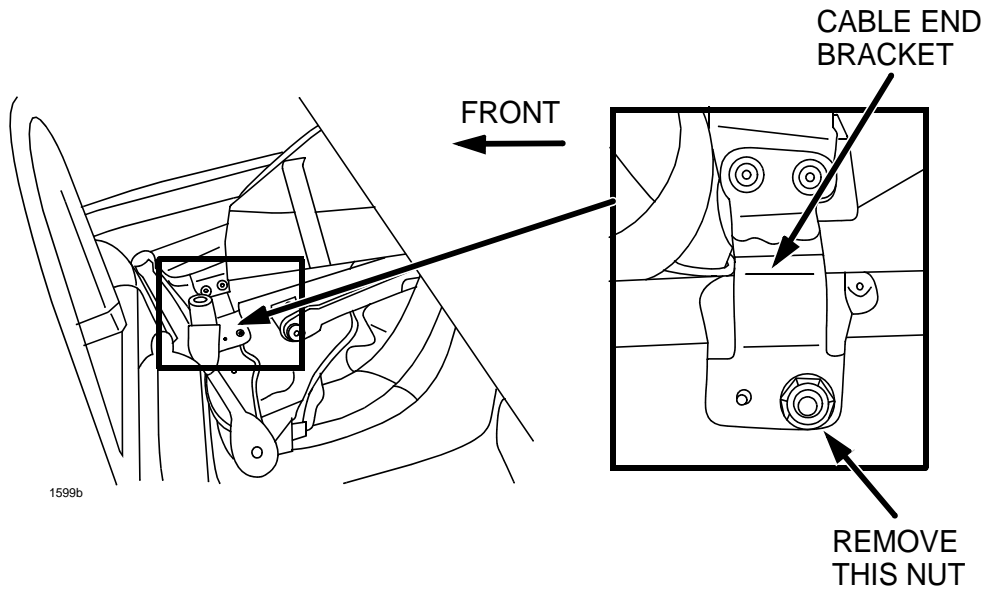


CONSUMER NOTICE: The information and instructions in this bulletin are intended for use by skilled technicians. Mazda technicians utilize the proper tools/equipment and take training to correctly and safely maintain Mazda vehicles. These instructions should not be performed by "do-it-yourselfers." Customers should not assume this bulletin applies to their vehicle or that their vehicle will develop the described concern. To determine if the information applies, customers should contact their nearest authorized Mazda dealership. Mazda North American Operations reserves the right to alter the specifications and contents of this bulletin without obligation or advance notice. All rights reserved. No part of this bulletin may be reproduced in any form or by any means, electronic or mechanical---including photocopying and recording and the use of any kind of information storage and retrieval system ---without permission in writing.

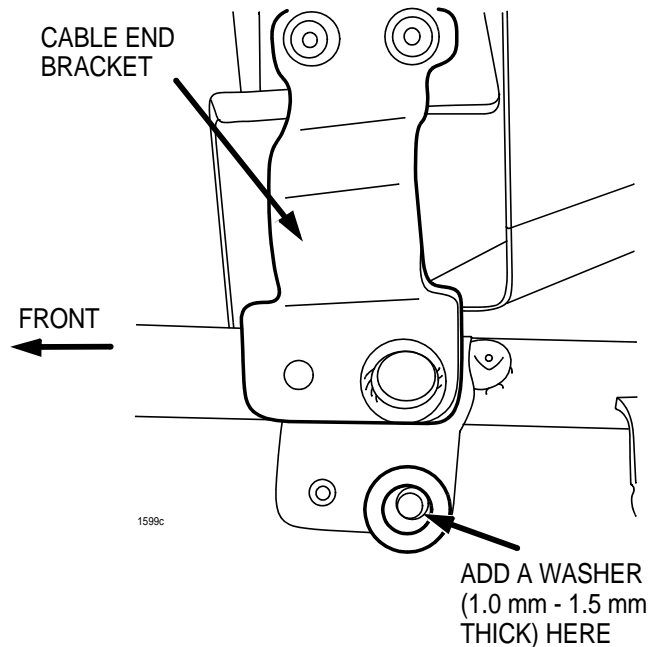
REPAIR PROCEDURE "A" (VEHICLES W/NON-DAMAGED CABLE END BRACKET(S))

ADD SPACER/WASHER TO INCREASE CLEARANCE BETWEEN SOFT TOP AND BELTLINE MOLDING

1. Verify customer concern. Visually inspect cable end bracket.
 - If there is interference between the soft top cloth and beltline molding and the cable end bracket is ok, go to STEP 2.
 - If the cable end bracket is bent or broken, proceed to REPAIR PROCEDURE "B" (VEHICLES W/DAMAGED CABLE END BRACKET(S)).
2. Remove the cable end bracket nut and remove bracket from stud.



3. Add a washer (1.0 mm – 1.5 mm thick) between the cable end bracket and convertible top frame.



4. Install cable end bracket over the washer. Tighten the nut. *Tightening torque: 7.8 – 10.7 Nm*
5. Verify repair.

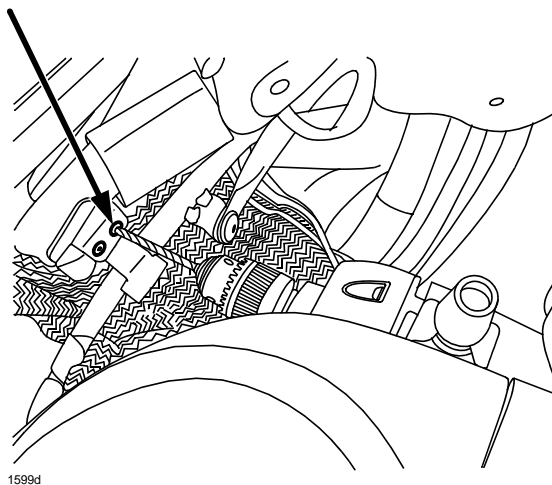
REPAIR PROCEDURE “B” (VEHICLES W/DAMAGED CABLE END BRACKET(S))

REPLACEMENT OF BENT OR BROKEN CABLE END BRACKET

NOTE:

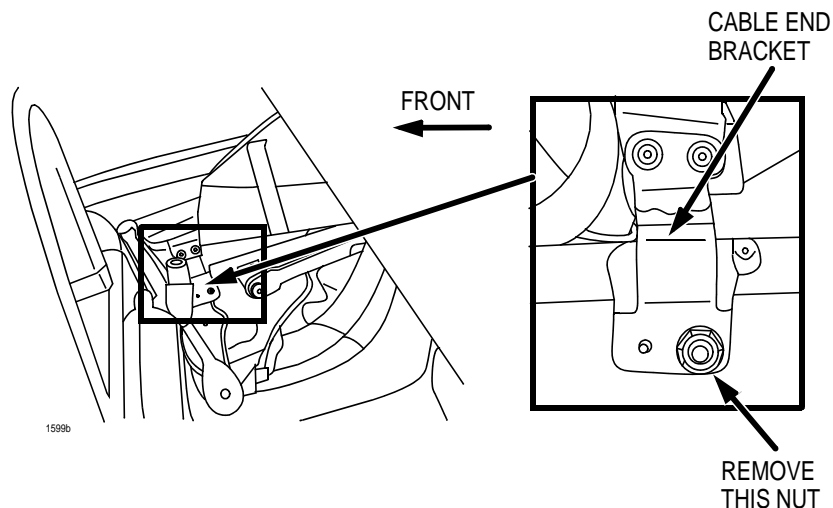
- If you install cable end brackets (A-level part), as noted in this bulletin, you don't need to add a washer.
1. Verify customer concern.
 2. Place a cloth under the area to be drilled to catch shavings and prevent damage to the soft top while drilling out rivets.
 3. Remove the rivets securing the cable end bracket using a 4mm drill bit.

REMOVE RIVETS SECURING
CABLE END BRACKET USING
A 4 mm DRILL



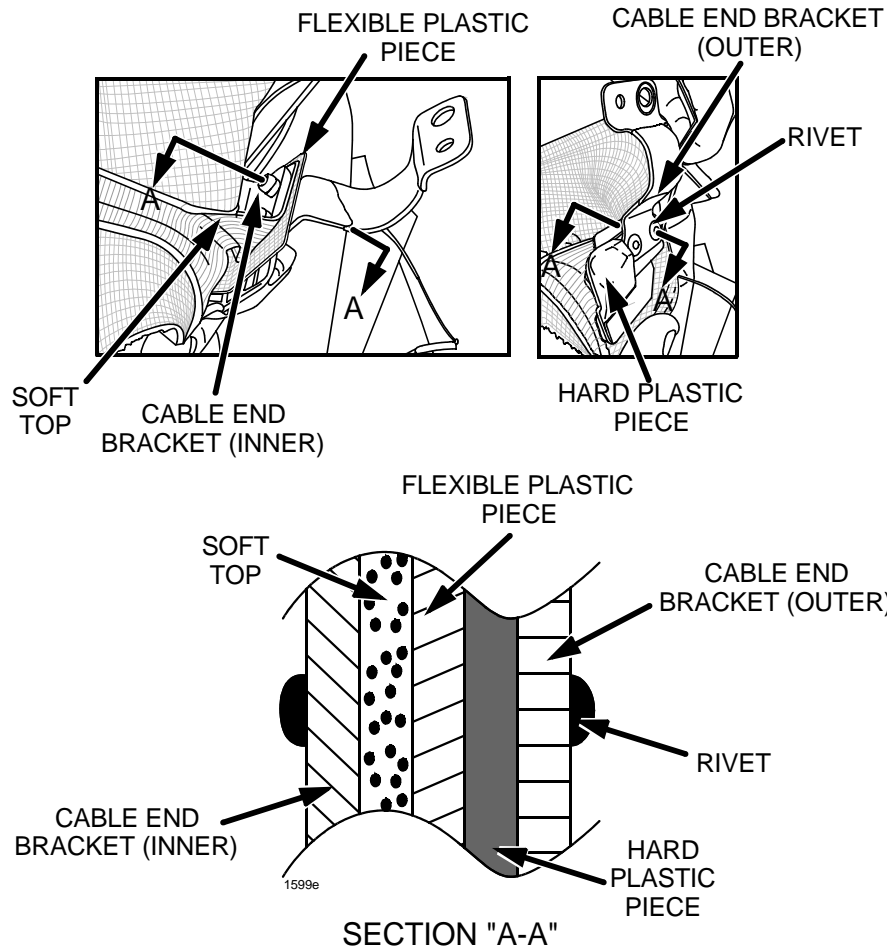
1599d

4. Loosen the nut and remove the damaged cable end bracket.



1599b

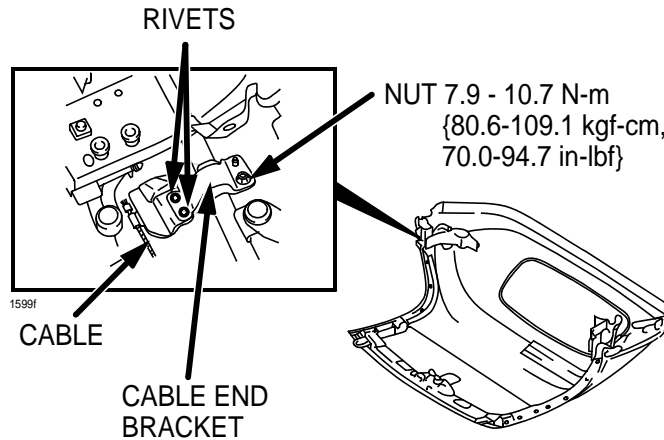
5. Secure a new cable end bracket with new rivets. Ensure items are placed in the correct order shown before installing new rivets.



6. Install cable end bracket over the stud. Tighten the nut. *Tightening torque: 7.8 – 10.7 Nm*

NOTE:

- Illustration shown for informational purposes only, DO NOT remove the convertible top from the vehicle.



7. Verify repair.

PART(S) INFORMATION

Part Number	Description	Qty.	Notes
NE51-R1-991A	Cable End Bracket (R)	1	---
NE51-R1-992A	Cable End Bracket (L)	1	---
0824-88-692	Rivet	2	2 Per Side
Locally Sourced	Washer 1–1.5mm	1	1 Per Side

WARRANTY INFORMATION

NOTE:

- This warranty information applies only to verified customer complaints on vehicles eligible for warranty repair. Refer to the Warranty Wizard for warranty term information.
- Additional diagnostic time cannot be claimed for this repair.

	REPAIR PROCEDURE "A" Washer Installation	REPAIR PROCEDURE "B" Cable End Bracket Replacement / Washer Installation
Warranty Type	A	A
Symptom Code	90	90
Damage Code	9G	9G
Causal Part Number	NE51-R1-991A or NE51-R1-992A	NE51-R1-991A or NE51-R1-992A
Causal Part Quantity	0	1
Related Part Number	9995-20-600	0824-88-692
Related Part Quantity	1 or 2	1 or 2
Operation Number / Labor Hours:	XXB280R1 / 0.2 Hrs (One Side or Both Sides)	XXB280R2 / 0.2 Hrs (One Side) XXB280R3 / 0.3 Hrs (Both Sides)