

© 2009 Mazda Motor of America, Inc.

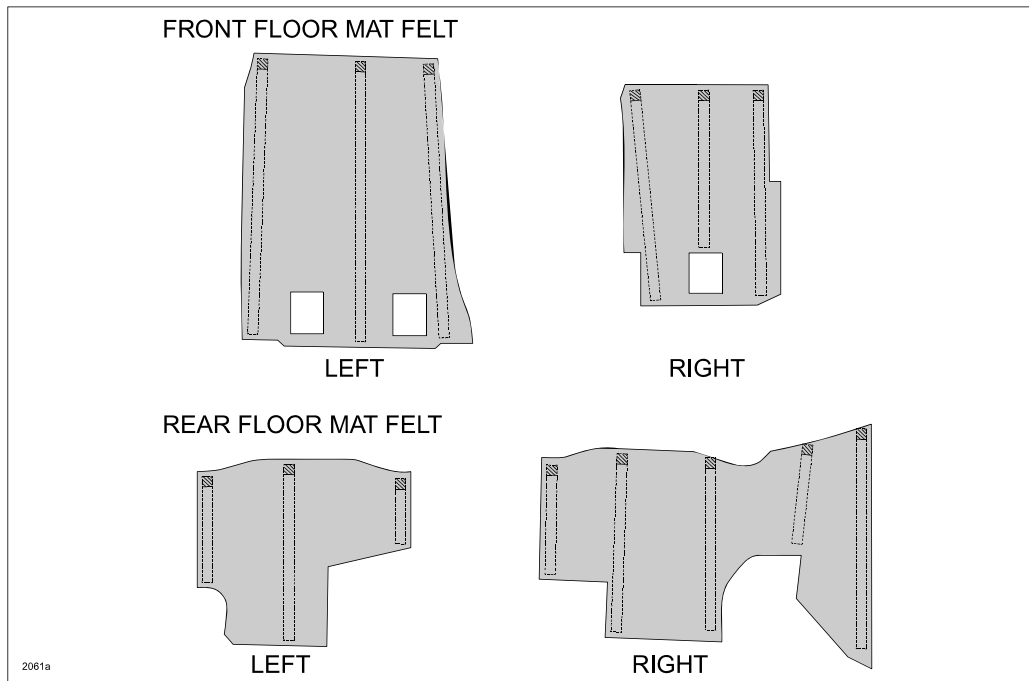
Subject: ESTABLISHMENT OF SERVICE FELT UNDER FLOOR MAT	Bulletin No: 09-012/09
	Last Issued: 03/11/2009

APPLICABLE MODEL(S)/VINS

2006-2009 MX-5

DESCRIPTION

The felt under the floor covering (carpet) has been established as a service part. If the carpet becomes wet due to water entry into the vehicle, normal procedure is to dry and reuse the carpet and felt. However, if the felt has an odor due to water contamination, remove and discard the felt and attach the service felt in the original locations. DO NOT replace the carpet.



This service bulletin has been established to inform of the availability of the felt and the correct procedure for replacement.

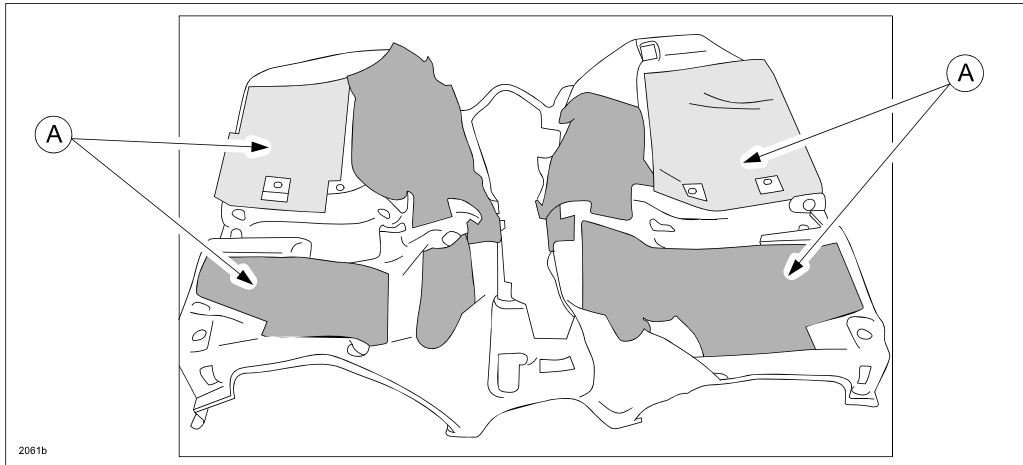
CONSUMER NOTICE: The information and instructions in this bulletin are intended for use by skilled technicians. Mazda technicians utilize the proper tools/equipment and take training to correctly and safely maintain Mazda vehicles. These instructions should not be performed by "do-it-yourselfers." Customers should not assume this bulletin applies to their vehicle or that their vehicle will develop the described concern. To determine if the information applies, customers should contact their nearest authorized Mazda dealership. Mazda North American Operations reserves the right to alter the specifications and contents of this bulletin without obligation or advance notice. All rights reserved. No part of this bulletin may be reproduced in any form or by any means, electronic or mechanical---including photocopying and recording and the use of any kind of information storage and retrieval system ---without permission in writing.

REPAIR PROCEDURE

1. Remove carpet from vehicle according to Workshop Manual (section 09-17 FLOOR COVERING REMOVAL/INSTALLATION) and place upside down on a clean surface to access felt.

WARNING: HANDLING A SEAT (WITH BUILT-IN SIDE AIR BAG) IMPROPERLY CAN ACCIDENTALLY OPERATE (DEPLOY) THE AIR BAG, WHICH MAY SERIOUSLY INJURE YOU. READ THE SERVICE WARNINGS BEFORE HANDLING A SEAT (WITH BUILT-IN SIDE AIR BAG). SEE AIR BAG SYSTEM SERVICE WARNINGS.

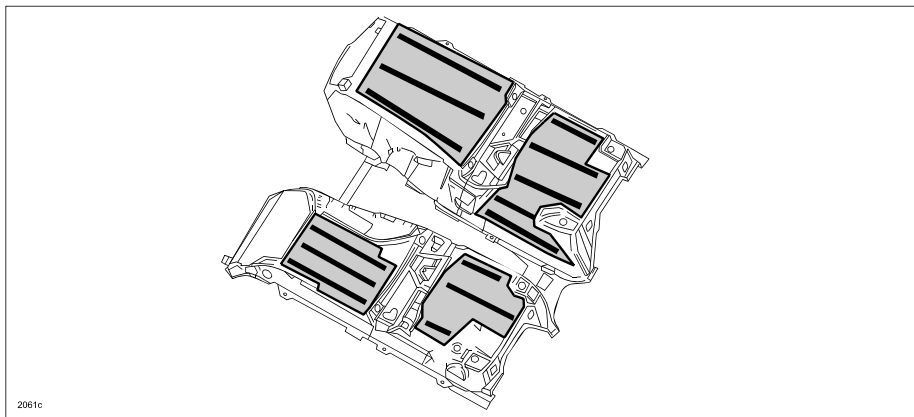
2. Mark location of original felt (A) and remove.



3. Clean bottom of carpet to ensure new felt adhesive attaches properly.

NOTE: When removing the original felt, it is not necessary to remove all residue, only loose material that may prevent the new felt from attaching or any that may cause an uneven surface of the carpet when installed.

4. Peel backing sheet off service felt and attach to bottom of carpet using marks from original felt placement.



5. Install carpet according to Workshop Manual (section 09-17 FLOOR COVERING REMOVAL/INSTALLATION).

Bulletin No: 09-012/09
© 2009 Mazda Motor of America, Inc.

Last Issued: 03/11/2009

PART(S) INFORMATION

Part Number	Description	Qty.	Notes
NEY1-68-680	Floor Mat Felt Set	1	Applicable floor covering (carpet) <ul style="list-style-type: none">• NE51-68-670*• NE55-68-670* * - any suffix can be entered

WARRANTY INFORMATION

NOTE: Use the SRT for floor mat removal and reinstallation.